

MELLOTT

TECHNICAL DATA – MC120P



VIBRATING GRIZZLY FEEDER

- Metso HR 46"x20' Vibrating Feeder
- 40 HP, 1800 RPM, TEFC Electric Motor
- 14' Pan w/ Replaceable ¾" AR Liners
- 6' Grizzly Section w/ Adjustable Bars @ 4" Openings

JAW CRUSHER

- Metso C120 Jaw w/ Integral Motor-Mount
- Feed Opening 47"(W)x34"(D)
- 200 HP Crusher Duty Motor 1200 RPM, TEFC
- Closed Side Setting 2¾"– 8"
- Composite Guards, Crusher Feed Chute

CHASSIS

- Heavy Duty Fabricated Frame Complete w/ Cribbing Supports
- Triple-Axle Suspension with Twelve (12) 11R24.5 Tires
- Road Ready (Air Brakes, Light Kit, Mud Flaps)

UNDER CRUSHER CONVEYOR

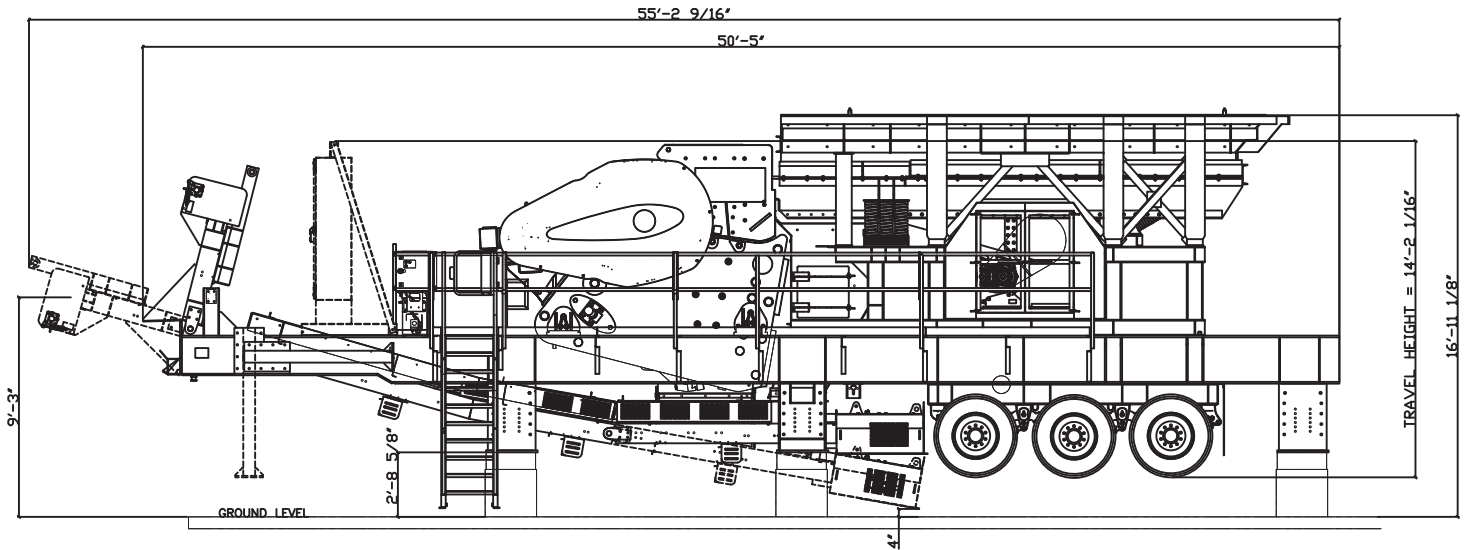
- 20 HP, 48"(W)x35'(L) Conveyor
- Channel Frame Construction
- CEMA C5 Idlers
- Rubber Impact Bed @ Load Zone

AVAILABLE OPTIONS

- Hydraulic Breaker and Support Structure
- Pre-Wired Electrical Starter Panel
- Additional Hopper Capacity up to 39 Cubic Yards
- Hydraulic Leveling Legs w/ Power Pack
- Quad-Axle Suspension

MELLOTT

TECHNICAL DATA – MC120P



Basic Model Shown

* - Travel height does not include feeder stand. Feeder stand to ship separate.

CRUSHER

- Max Feed Size..... 27"
- Maximum Plant Capacity.....600 STPH

PHYSICAL/OPERATING CHARACTERISTICS

- Overall Length.....55'-9"
- Overall Height..... 16'-11½"
- Travel Height..... 14'-2"
- Ground Clearance..... 5½"
- Travel Width..... 11'-10"
- Feed Height..... 16'-11½"
- Discharge Height..... 9'-2"
- Trailer 1 Weight..... 102,200 Lbs

Total Unit Weight.....139,451 Lbs

Specifications are subject to change without notice.

Model MC120P 090513-1

MAIN OFFICE
100 MELLOTT DRIVE
WARFORDSBURG, PA 17267

SOUTHERN SERVICE CENTER
169 MACHINE SHOP ROAD
MARION, NC 28752

CUSTOMER SERVICE HOTLINE: 800-634-5634 ■ EMAIL: SALES@MELLOTTSCOM

VISIT US @ WWW.MELLOTTCOMPANY.COM