

# MELLOTT

## TECHNICAL DATA – MC6163W



### WATER SYSTEM

- Unit is Pre-Plumbed For Single Point Fresh Water Connection (8" Pipe-8-Bolt Flange)
- Two (2) 1 1/2" Chase Water Connections w/ Gate Valve For Even Distribution Between Screws
- Manifold w/ Flow Control Valves For Individual Spray Bars
- Eleven (11) Screen Spray Bars, Each w/ V-Jet Nozzles

### SCREEN CHUTES & FINES CHUTE

- Slurry Style Screen Feed Chute To Pre-Soak Material
- Chutes Constructed From 3/16" Mild Steel w/ 3/16" AR400 Liners
- Roll Away Oversize Discharge Chute w/ Two (2) Sets of Finger Gates for Blending
- Reversible Discharge Chutes
- Fines Flume w/ Wash Back Line

### CHASSIS

- Heavy Duty Fabricated Frame w/ Cribbing Supports
- Dual Axle Suspension w/ Eight (8) 11R24.5 Tires
- Road Ready (Air Brakes, Light Kit, Mud Flaps)

### ACCESS

- Walkway Access Around Three (3) Sides of Screen w/ Stair Access to Grade

### SCREEN

- Metso FS253, 6'x16', 3 Deck, Horizontal
- Triple-Shaft, MV2 Mechanism
- Weld-Free Side Plates w/ Huck Bolt Construction
- Single-Crown-Construction Decks For Side Tensioned Media
- 50 HP, 1200 RPM, TEFC (NEMA C) Motor
- Replaceable Feed Box & Discharge Lip Liners

### FINE MATERIAL WASHER

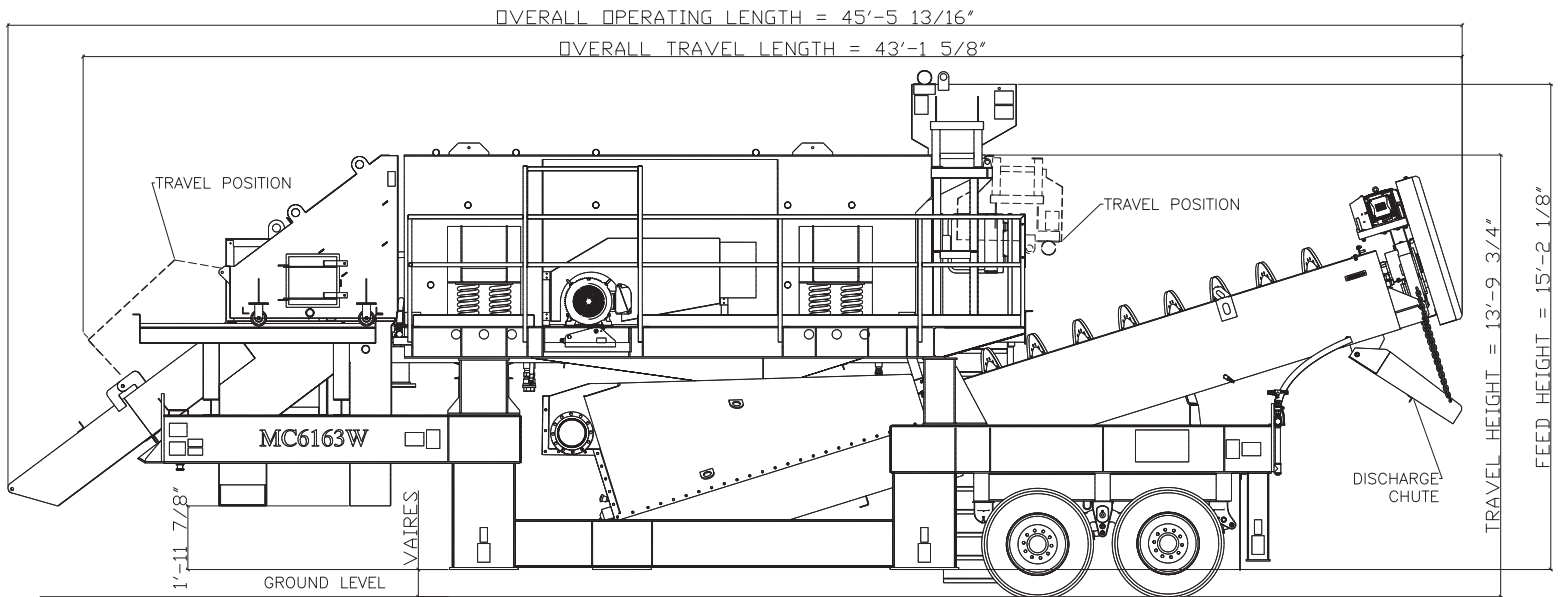
- Twin 36"x25' Fine Material Double Screw Washer
- 1/4" Mild Steel Tub Construction
- Welded Steel Flights w/ Replaceable Shoes
- Adjustable Discharge Chute
- Two (2) 15 HP, 1800 RPM NEMA Premium Efficiency Motors

### AVAILABLE OPTIONS

- Pre-Wired Electrical Starter Panel
- Hydraulic Leveling Legs w/ Power Pack

# MELLOTT

## TECHNICAL DATA – MC6163W



NOTE: All heights shown from top of cribbing, except travel height.

Basic Model Shown

### METSO FS253 6'x16' SCREEN

- Nominal Max Feed Size . . . . . 4"
- Max Capacity . . . . . 400 STPH

### McLANAHAN TWIN 36"x25' FINE MATERIAL WASHER

- Max Feed Size . . . . . 3/8"
- Capacity . . . . . 210 STPH @ 100% Screw Speed

### PHYSICAL/OPERATING CHARACTERISTICS

- Overall Length . . . . . 45'-5"
- Feed Height . . . . . 15'-2"
- Travel Width . . . . . 12'-0"
- Travel Height . . . . . 13'-10"

Total Unit Weight.....68,000 Lbs

Specifications are subject to change without notice.

Model MC6163W 090513-1

**MAIN OFFICE**  
 100 MELLOTT DRIVE  
 WARFORDSBURG, PA 17267

**SOUTHERN SERVICE CENTER**  
 169 MACHINE SHOP ROAD  
 MARION, NC 28752

**CUSTOMER SERVICE HOTLINE: 800-634-5634 ■ EMAIL: SALES@MELLOTTSCOM**

**VISIT US @ WWW.MELLOTTCOMPANY.COM**